

Things to come, already arrived.

With a progressive exterior design that suits your lifestyle. The new, fully electric Audi Q8 Sportback e-tron and Audi Q8 e-tron.





Charged for more than one adventure.

With a range of up to 600 km (WLTP) for the Audi Q8 Sportback e-tron and up to 582 km (WLTP) for the Audi Q8 e-tron.







The right car
for right now —
with several
charging options.









Space to evolve.





**Hey future,
we'll keep an
eye on you.**

Introducing virtual exterior mirrors.



09:55
READY

Range
565 km

12m 7.3m

Audi logo
AIRBAG

8:32

RADIO MEDIA TELEPHONE NAVIGATION
PHONE APPS CAR FAVOURITES SETTINGS

20.0 21.0

AUTO AUTO

A/C A/C OFF

PROSENGER AIRBAG OFF





**Shine on – with
digital Matrix LED
headlights.**

Improve your vision and your visibility
at night.

Exterior Colors

Q8 Sportback e-tron



Chronos Gray Metallic



Magnet Gray



Myth Black Metallic



Glacier White Metallic



Soneira Red Metallic



Madeira Brown Metallic



Daytona Gray Pearlescent



Plasma Blue Metallic



Ultra Blue Metallic

Exterior Colors

Q8 e-tron



Chronos Gray Metallic



Magnet Gray



Myth Black Metallic



Glacier White Metallic



Soneira Red Metallic



Madeira Brown Metallic



Daytona Gray Pearlescent



Plasma Blue Metallic



Ultra Blue Metallic

Interior colors



Black-
Express Red



Black-Rock
Gray



Rotor
Gray

Q8 e-tron / Q8 Sportback e-tron

Drivetrain / transmission

	Q8 Sportback e-tron	Q8 e-tron
Number of electric motors	front axle 1 / rear axle 1	front axle 1 / rear axle 1
Peak electrical output	300 kW	300 kW
Max. electrical torque output	664 Nm	664 Nm
Electrical torque output front / rear	309 Nm / 355 Nm	309 Nm / 355 Nm
Drive type	quattro All-wheel drive	quattro All-wheel drive
Transmission type	2-stage ratio planetary gearbox with a single gear	2-stage ratio planetary gearbox with a single gear

Battery

Battery type	Lithium-Ion	Lithium-Ion
Gross / net battery capacity	114,0 / 106,0 kWh	114,0 / 106,0 kWh

Performance / range

Top speed	200 km/h	200 km/h
Electrical acceleration boost, 0-100 km/h	5.6 s	5.6 s
Electrical range, combined according to WLTP	600 - 487 km	582 - 481 km
Electric power consumption, combined according to WLTP /100 km	24.1-19.9 kWh	24.4 - 20.6 kWh

Charging equipment

Second charging access	•	•
On-board charger (AC)	Up to 22 kW	Up to 22 kW
Industrial plug CEE 32 A, long and straight, for the e-tron charging system	400 V	400 V
Mode 3 charging cable for public charging (AC)	22 kW	22 kW
Vehicle inlet CCS type 2	•	•
Vehicle charging cable	•	•
e-tron charging system "compact"	•	•
Mobile Charging at Home package compact	•	•
Wall bracket	•	•
Household plug type E/F for the e-tron charging system	•	•

Exterior

S-line bumpers

Black Styling package

Black roof rails

Brake calipers painted in Red

Rear spoiler

Black exterior mirror housings

Exterior mirrors, power-adjustable, heated and power-folding, auto-dimming, with memory feature

Panoramic glass sunroof

Windshield with heat-reflecting glass and acoustic glass

Acoustic glass for door and side windows

Dark-tinted heat-reflecting glass

Additional option

Virtual exterior mirrors

Light

Singleframe projector lighting

Digital Matrix LED headlamps and LED rear combination lamps

Door entrance LED projector lights in front and rear

Interior

Scuff plates with aluminum inserts in front and rear, illuminated, with "S" logo in front

Stationary air conditioning

4-zone climate control system

Auto-dimming interior rearview mirror, frameless

Pedals and foot rest in stainless steel

Valcona leather with embossed "S"

Sports seats Plus in front

Power front seats with memory feature for the driver seat

4-way lumbar support for the front seats

Headliner in Black fabric

Upper part of dashboard and lower interior elements in leatherette

Decorative inserts in Carbon Square structure

Glossy Black operating buttons with haptic feedback and Aluminum Look interior

Sports contour leather-wrapped multi-function steering wheel, with shift paddles, 3-spoke, flat-bottomed

Ambient Lighting package plus

Storage and Luggage Compartment package

Cigarette lighter and ashtray

Infotainment & Navigation

MMI Navigation plus with MMI touch response

Bang & Olufsen premium sound system with 3D sound

Smartphone interface

Audi phone box Light

Audi virtual cockpit plus

12-volt outlet

Assistance

Cruise control system with speed limiter

Adaptive air suspension - sport

Parking aid Plus

360-degree cameras

Head-up display

Electric steering wheel adjustment

Luggage compartment lid, electrically opening and closing

Tire pressure monitoring system

Hill decent control

Side assist

Lane change warning, exit warning system and rear cross traffic assist

Adaptive windshield wipers with integrated washer nozzles

Progressive steering

Power latching for the doors

Comfort key with SAFELOCK

Safety

ISOFIX child seat anchors for front passenger seat

ISOFIX child seat anchors and top tether for the rear bench seat

Anti-theft alarm system

Anti-theft wheel bolts and loose wheel warning

Collapsible spare tire

Audi pre sense rear

Airbags in front, front passenger airbag can be deactivated

Side airbags in front and rear and curtain airbag system

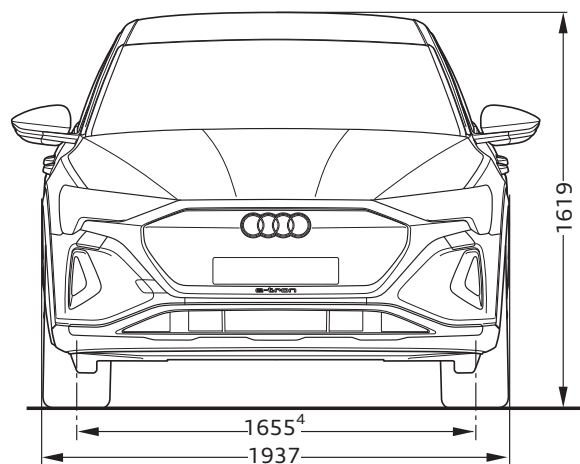
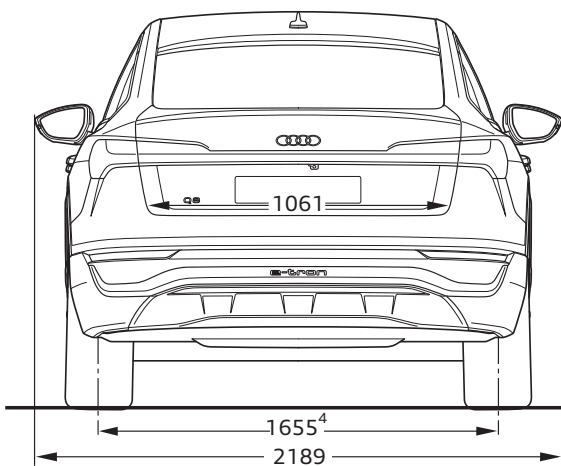
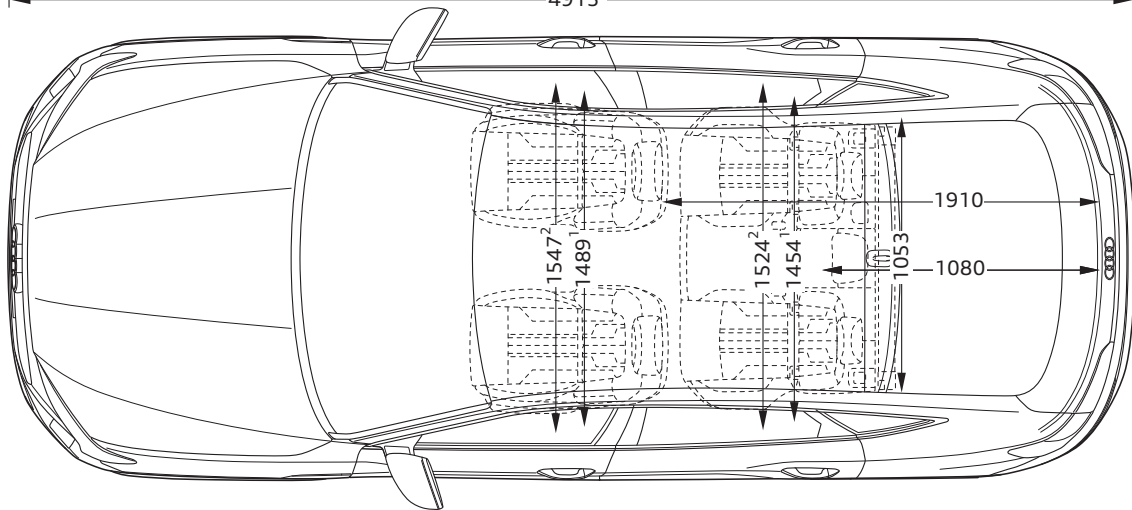
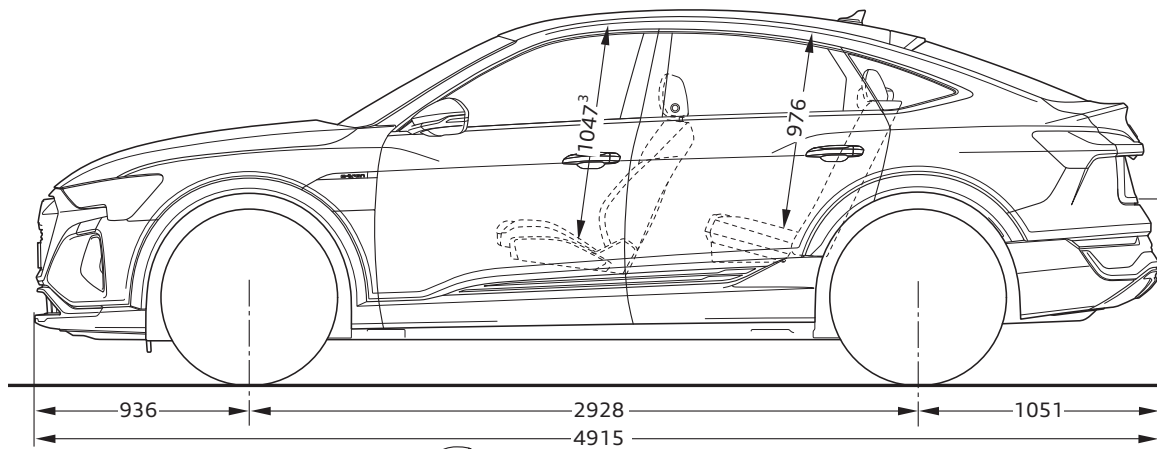
Warranty

150,000 km or 5 years whichever occurs first

160,000 km or 8 Years whichever occurs first on battery

A word about this brochure. Audi Egypt believes the specifications in this brochure to be correct at the time of launch. However, specifications, standard equipment, options, fabrics, and colors are subject to change without notice. Some equipment may be unavailable when your vehicle is built. Please ask your dealer for advice concerning current availability of standard and optional equipment, and your dealer will verify that your vehicle will include the equipment you ordered. Vehicles in this brochure are shown with optional equipment. See your dealer for complete details on all warranties, service and maintenance plans and aftersales programmes on offer in your region

Audi Q8 Sportback e-tron



¹ Shoulder width

² Elbow width

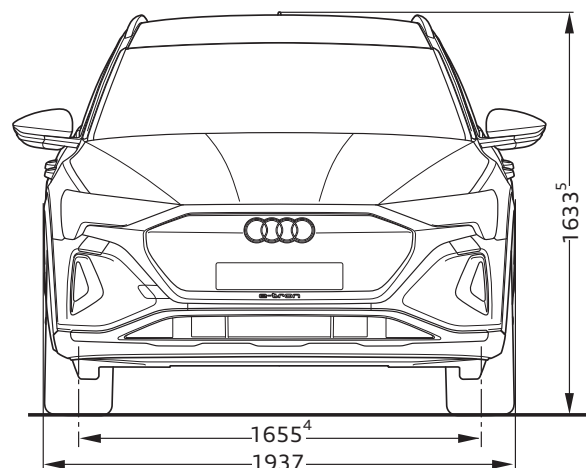
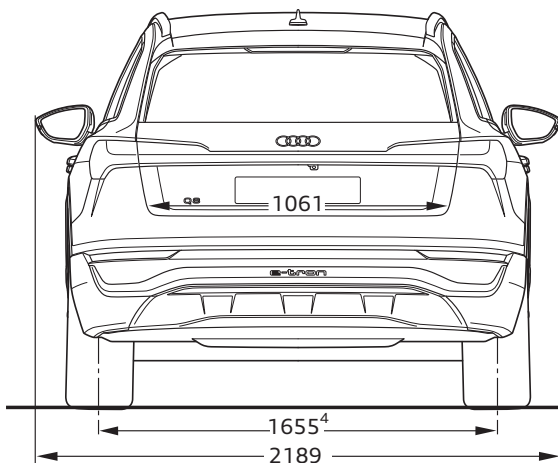
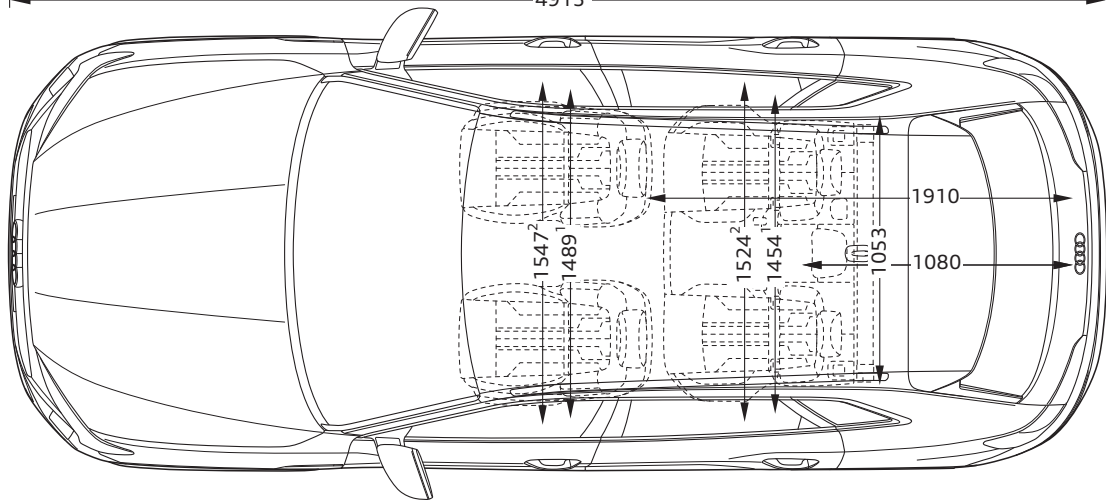
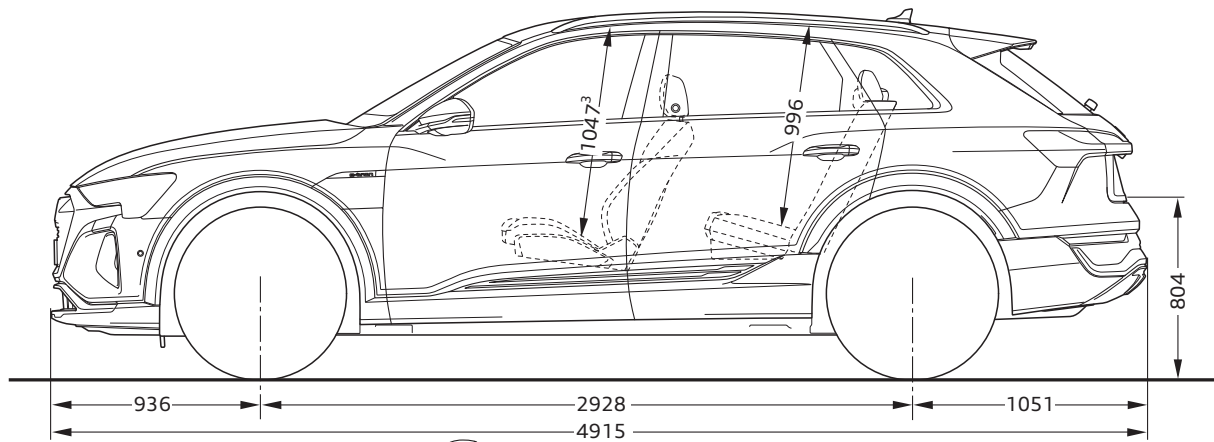
³ Maximum headroom

⁴ Wheel size 55/255 R8.5 19x19 Summer wheel

Dimensions in millimeters

Dimensions of vehicle unloaded

Audi Q8 e-tron



- ¹ Shoulder width
 - ² Elbow width
 - ³ Maximum headroom
 - ⁴ Wheel size 55/255 R8.5 19Jx19 Summer wheel
- Dimensions in millimeters
Dimensions of vehicle unloaded

Authorized dealers:

Audi Center Cairo

Ring Road, Showrooms District,
Land no. 4,
Fifth Settlement, New Cairo
Tel: 01211071072/73

Audi Cairo Maadi

52 Corniche El Nil,
Maadi, Cairo
Tel: 02 - 25283351
01000044003/22040/22038

Audi City Cairo

Boulevard, Parcel 37,
B4-B5 Mivida, New Cairo
+2 01200511111 / +2 01111119131
+2 01111800005 / +2 01070700069

Audi Giza Zayed

Westmark Mall, 26th of July Axis,
Sheikh Zayed City, Giza
Hotline: 15000

Audi Approved plus / Audi Lean Service

P.O. Box 11 Obour Industrial City,
Industrial Area Block 13001 no. 3-4,
17, 18 Obour City, Cairo
Tel: +2 44812578

Abo Rawash Service Center

Abo Rawash Industrial Zone 112,
Kilo 28 Cairo-Alex Desert Road, Giza
Tel: 02 - 235391176/8/9

Alexandria Service Center

El-Wasla Road, Kilo 21,
Alexandria
Tel: 03 - 3021150/55/62

Hurghada Service Center

Awsaty Road in front of Juhayna Square,
Hurghada
Hotline: 19525

For Inquiries:

(Call from outside Cairo will be
according to governorate tariffs)
Hotline: 19525
www.audi-eg.com



A word about this brochure. Audi Egypt believes the specifications in this brochure to be correct at the time of launch. However, specifications, standard equipment, options, fabrics, and colors are subject to change without notice. Some equipment may be unavailable when your vehicle is built. Please ask your dealer for advice concerning current availability of standard and optional equipment, and your dealer will verify that your vehicle will include the equipment you ordered. Vehicles in this brochure are shown with optional equipment. See your dealer for complete details on all warranties, service and maintenance plans and aftersales programmes on offer in your region